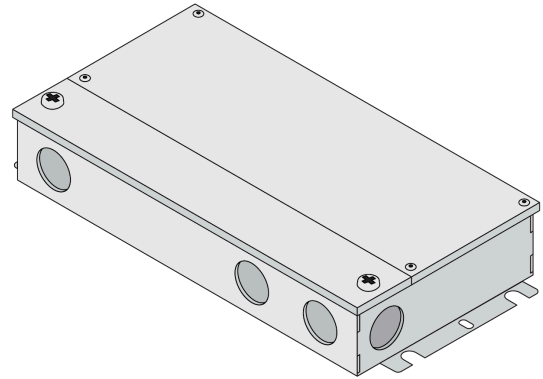


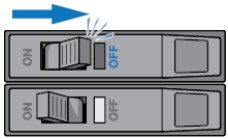
**SAFETY & WARNINGS**

1. Install in accordance with national and local electrical code regulations.
2. This product is intended to be installed and serviced by a qualified, licensed electrician.
3. Only install compatible LED fixtures & controls. Only use copper wiring.
4. Proper heat dissipation will prolong the working lifespan of this product. Install in a well-ventilated area free from explosive gases and vapors.
5. Ensure applicable wire is installed between driver, fixture, and any controls in between. When choosing wire, factor in voltage drop, amperage rating, and type (in-wall rated, wet location rated, etc.). Inadequate wire installation could overheat wires, and cause a fire.
6. Do not install if product has any visible damage.
7. Do not modify or disassemble this product beyond instructions or the warranty will be void.



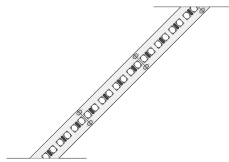
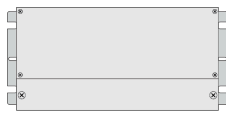
**1. Turn Power Off at Circuit Breaker**

Never connect product to a live circuit. Do not exceed Class 2 Limit.



**2. Determine Locations to Install 3 Main Components**

Refer to the 'System Diagrams.'



1) Compatible Control

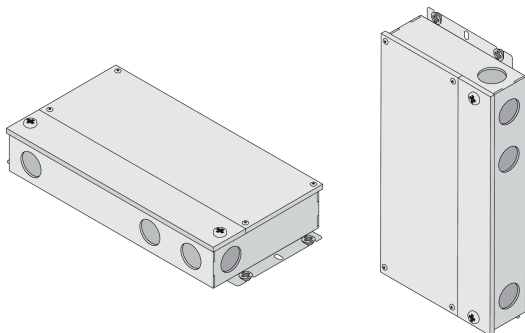
2) Driver

3) Fixture

Ensure applicable wire is installed between driver, fixture, and any controls in between. When choosing wire, factor in voltage drop, amperage rating, and type (in-wall rated, wet location rated, etc.).

**3. Mount Driver to Surface**

Drivers may be mounted in any orientation.



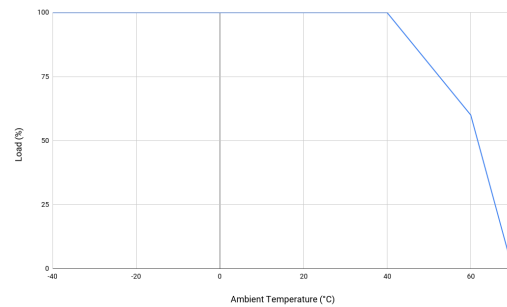
**4. Attach Lighting Load and Control**

Only use copper wiring.

Refer to 'System Diagrams,' and dimming control installation guides. Ensure to install a compatible dimming control.

**4.1 Temperature**

When installing in ambient temperatures that may reach over 100°F, refer to the 'Derating Curve' to avoid overheating and damage to the driver.

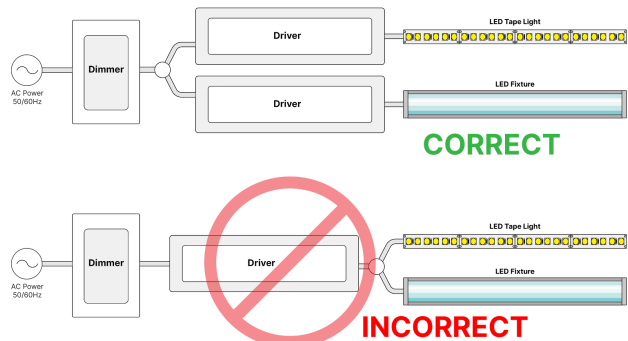


**4.2 Safety**

Use applicable UL Listed twist wire connectors and junction box to secure wire connections.

**4.3 Luminaires**

Do not install different luminaire types on the same power supply as flickering and altered dimming range may occur.



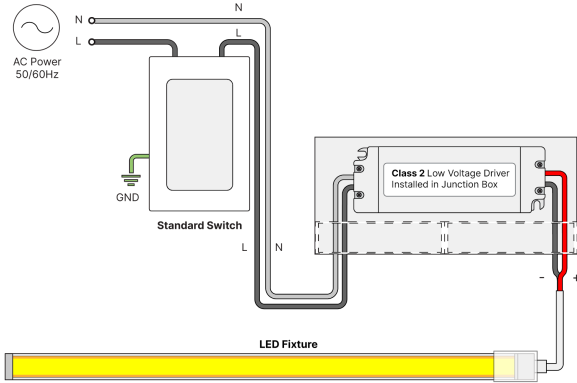
**System Diagrams**

Mount using included mounting clips/channels/screws.

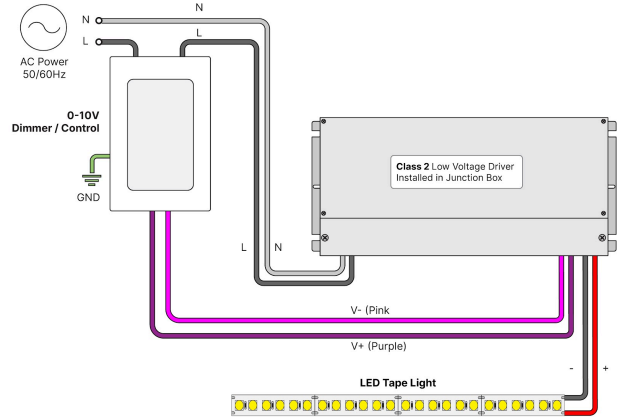
The following diagram is an example system design. For information regarding larger systems or systems not pictured below, please see our web page or contact technical support. Always review each component installation guide for detailed and up-to-date wiring instructions. Install in accordance with national and local electrical codes.

Other diagrams will vary based on power and dimming requirements.

**Electronic**



**0-10V (No Relay)**



**0-10V (With Relay)**

