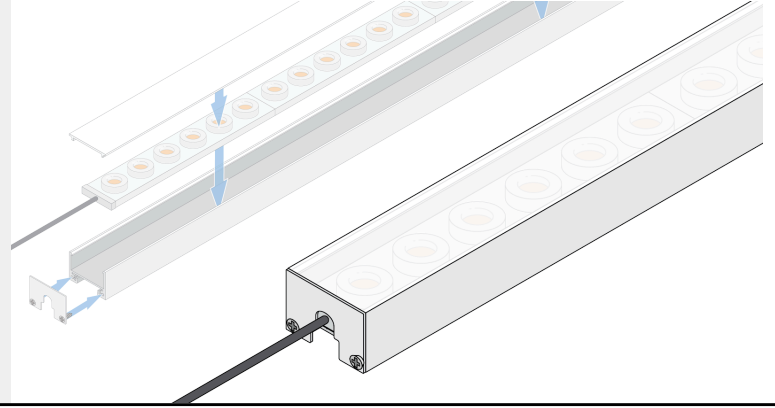


SAFETY & WARNINGS

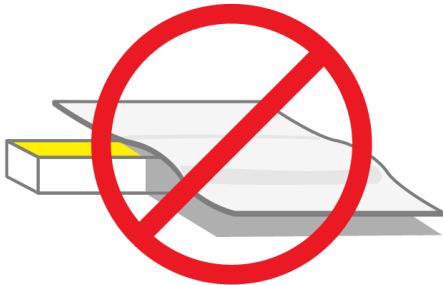
1. Install in accordance with national and local electrical code regulations.
2. This product is intended to be installed and serviced by a qualified, licensed electrician.
3. Do not modify product beyond instructions or warranty will be void.
4. Do not submerge, nor install within 5 feet of a swimming pool.
5. Only install with a compatible Listed Class 2 DC LED driver.
6. Do not exceed maximum run recommended for Tape Light.
7. Failure to follow safety warnings, and installation instructions will void the warranty.



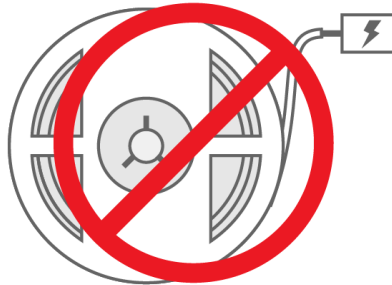
WARNING

DO NOT CONNECT DIRECTLY TO LINE VOLTAGE POWER!
Read all warnings and Installation instructions thoroughly.

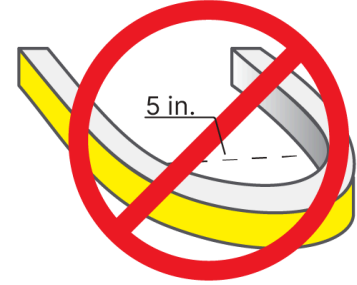
HANDLE WITH CARE



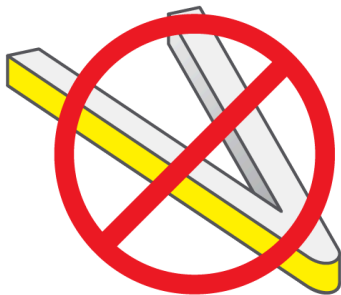
Do not cover with any materials.



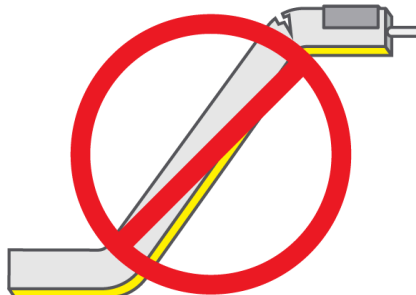
Do not power while attached to spool or tightly coiled.



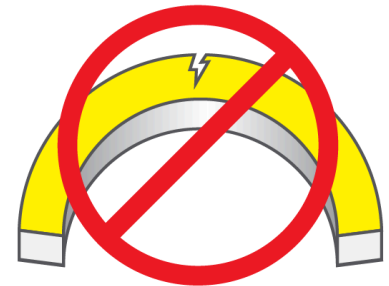
Do not bend to a diameter less than 5 inches.



Do not fold, crease, or twist.



Do not allow product hang unsupported during installation.



Do not bend on a horizontal plane.

0. Field Assembly

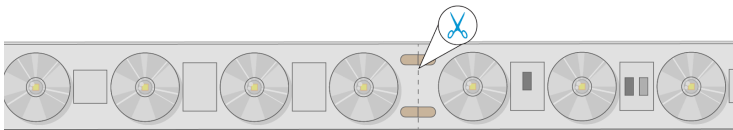
Assembling this product in the field has a maximum rating of IP65.

1. Turn Power Off at Circuit Breaker

Never cut product attached to a live circuit. Do not exceed Class 2 Limit.

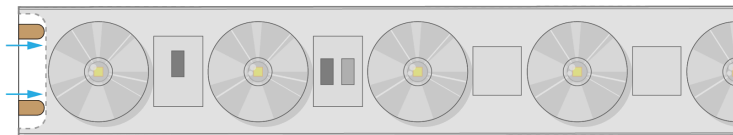
2. Cut TRUE FOCUS™ Flex to length

Cut at line with scissors icon.



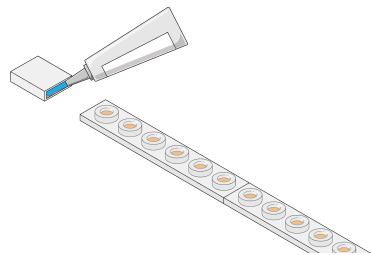
3. Trim Silicone

Trim back the silicone around the solder points.



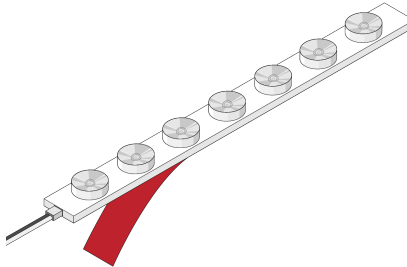
4. Prepare TRUE FOCUS™ Flex for Mounting

All cut sections must be sealed with non-acidic neutral silicone sealant/adhesive (not included), and wet location end caps. Acidic-based adhesives may damage the phosphor of LED chips.



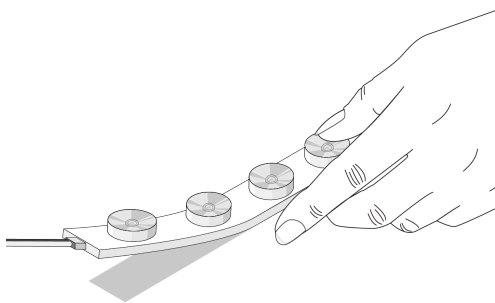
5. 3M Adhesive

1. Clean surface before mounting.
2. Peel off 3M™ adhesive backing. Ensure minimum ambient temperature of 50°F (10°C) or strip light will not adhere properly.
3. Tear off backing along wire edge.



6a. Surface Mount TRUE FOCUS™ Flex

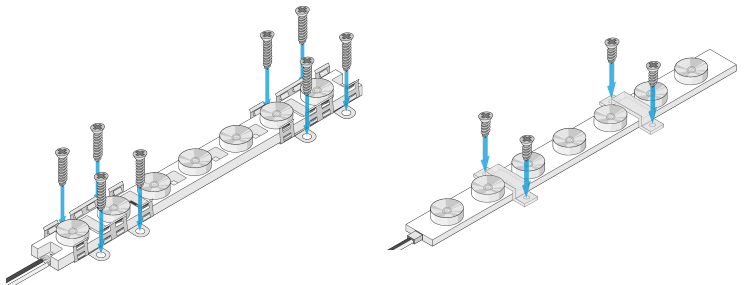
Adhere to a smooth, dry surface, working from one end to the other, being gentle with the LEDs.



6b. Mount TRUE FOCUS™ Flex with Under or Over Clips

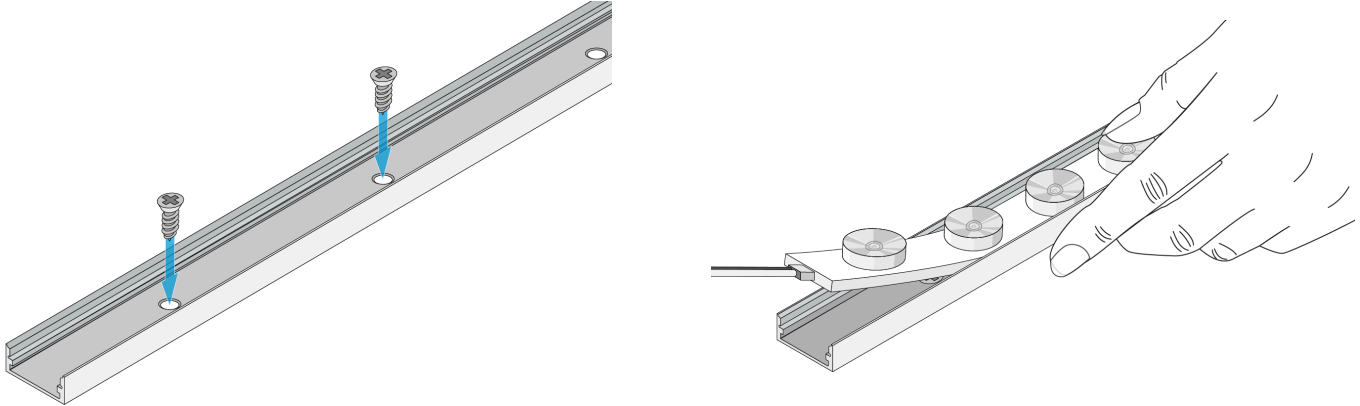
Mount using included mounting clips/screws.

Secure in between optics, 2 per foot.

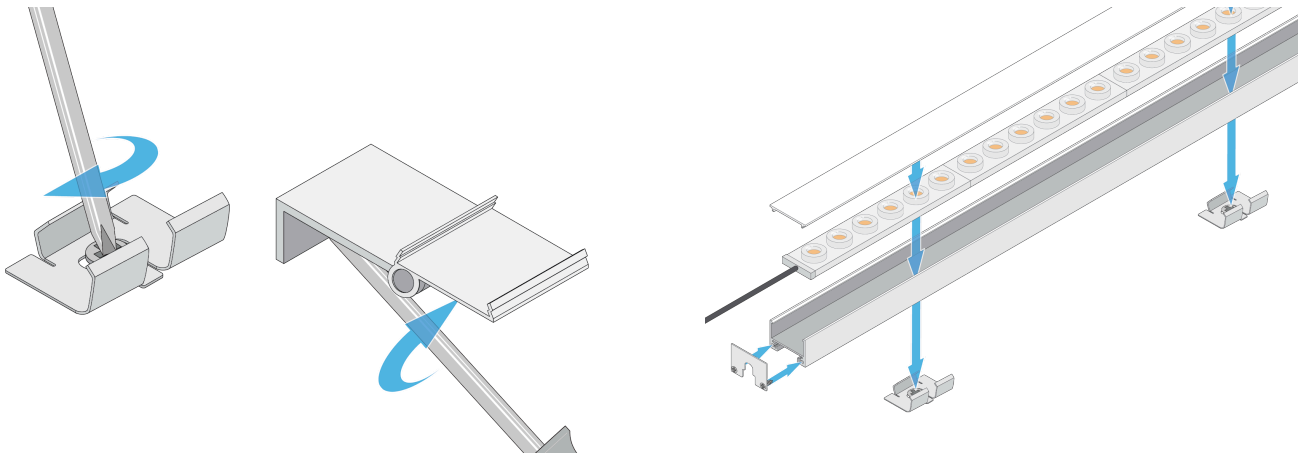


6c. Mount TRUE FOCUS™ Flex with Surface Mount Channel

1. Mount channel using mounting screws and countersink screw holes.
2. Adhere TRUE FOCUS™ Flex to channel, working from one end to the other, being gentle with the LEDs.

**6d. Mount TRUE FOCUS™ Flex in Channel with Mounting Clips, End Caps, & Optional Lens**

1. Fasten Mounting Clip or Aiming Bracket to surface.
2. Press channel onto mounting clips or aiming brackets until secured.
3. Adhere TRUE FOCUS™ Flex to channel, working from one end to the other, being gentle with the LEDs.
4. Affix lens to top of channel. (optional)
5. Place end cap onto end of channel. (optional)



System Diagrams

Mount using included mounting clips/channels/screws.

The following diagram is an example system design. For information regarding larger systems or systems not pictured below, please see our web page or contact technical support. Always review each component installation guide for detailed and up-to-date wiring instructions. Install in accordance with national and local electrical codes.

Other diagrams will vary based on power and dimming requirements.

Standard Dimmer System Diagram

