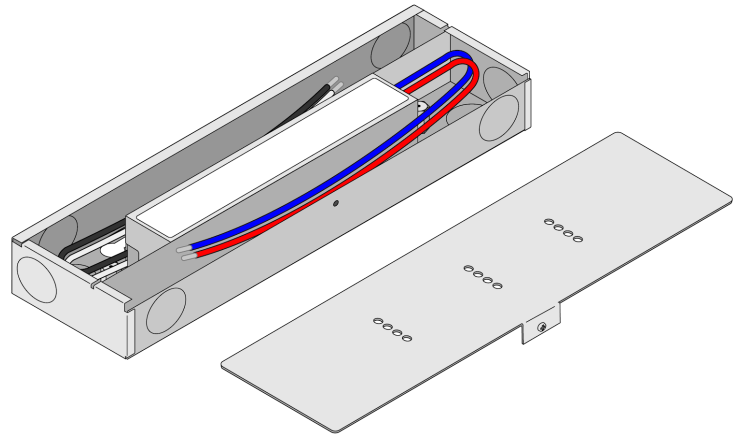


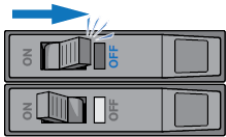
SAFETY & WARNINGS

1. Install in accordance with national and local electrical code regulations.
2. This product is intended to be installed and serviced by a qualified, licensed electrician.
3. For cabinet and surface mount use only.
4. Do not install outdoors or in wet locations. For indoor and dry use only.
5. Do not conceal or extend exposed conductors through a building wall.
6. For low voltage exposed insulated conductor systems required by 30.1(c) of UL 2108 do not install any part of this system less than 7 feet (2.2m) above the floor.
7. To reduce the risk of fire and burns, do not install this lighting system where the exposed bare conductors can be shorted or contact any conductive materials.
8. To reduce the risk of fire and overheating, make sure all connections are tight.
9. Do not install any luminaire closer than 6 inches (15.25cm) from any curtain, or similar combustible materials.
10. Turn off electrical power before modifying the lighting system in any way.



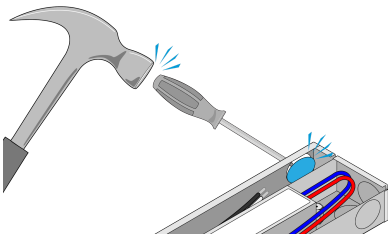
1. Turn Power Off at Circuit Breaker

Never connect product to a live circuit. Do not exceed Class 2 Limit.

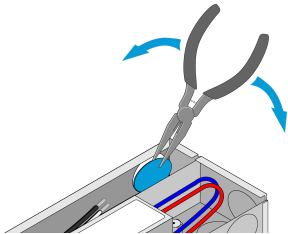


2. Remove Knockouts for Conduit Access

Use screwdriver and hammer to loosen knockout.



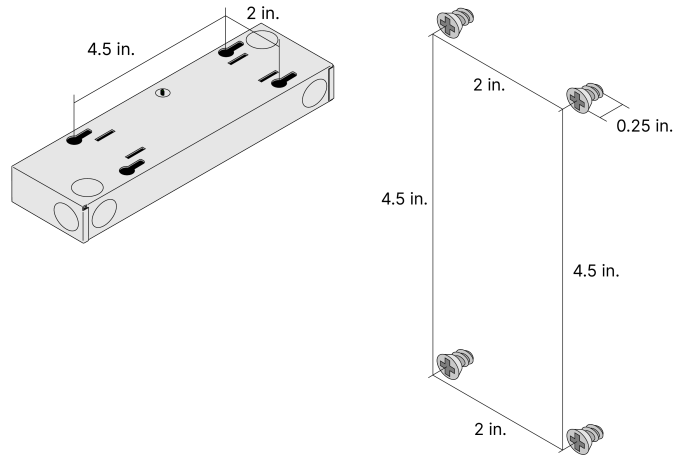
Grip knockout with pliers. Bend back and forth until broken off.



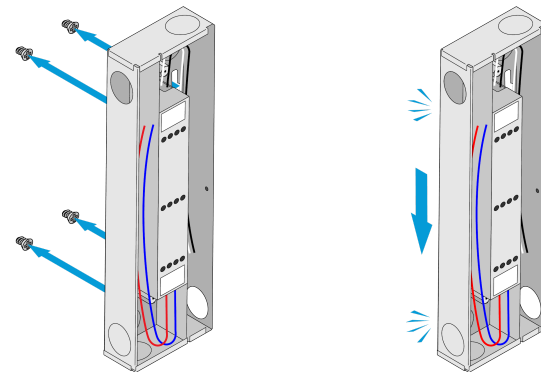
3. Mount Driver to Surface

Mount wood screws into surface 2 inches apart horizontally and 4.5 inches vertically.

Allow approximately 0.25 inches of screws to protrude from surface.



Place junction box over screws, then gently press down until set in place.



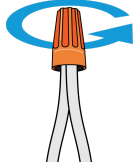
4. Wire Driver to AC Input and Low Voltage Load

Wire Combination Range (in.)

600V Max
 22 to 14 AWG
 Minimum (1) #18 & (2) #20
 Maximum (2) #14

Wire Combination Range (mm)

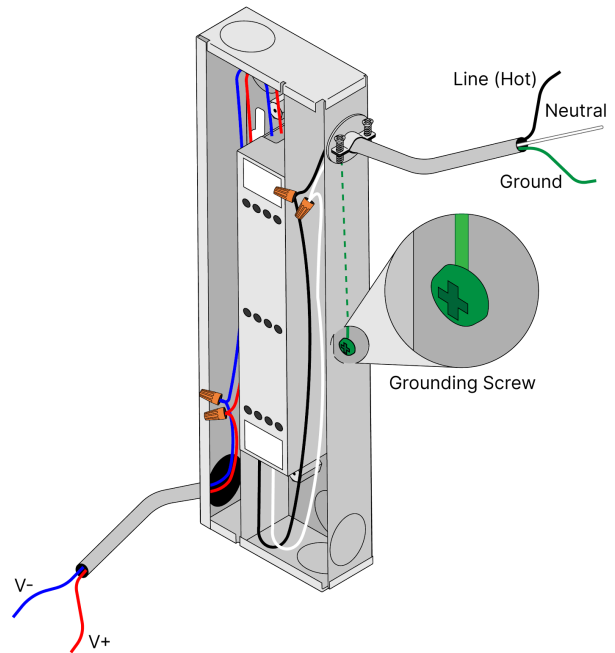
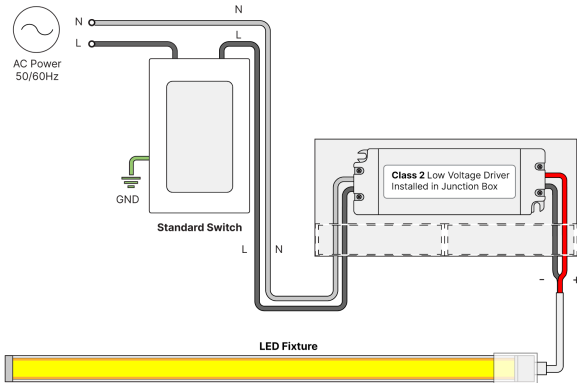
600V Max
 0.34mm² to 2.5mm²
 Minimum (1) 0.75mm² w/ (1) 0.50mm²
 Maximum (4) 1.5mm² w/ (1) 0.50mm²



Wire LED Driver. Ensure main power is OFF

1. GND*: Attach to J-Box and Primary Ground
2. Neutral: To Primary High Voltage Neutral
3. Line (Hot): To Primary High Voltage Line Hot
4. V+: To Low Voltage Load V+
5. V-: To Low Voltage Load V-

Traditional On/Off System Diagram

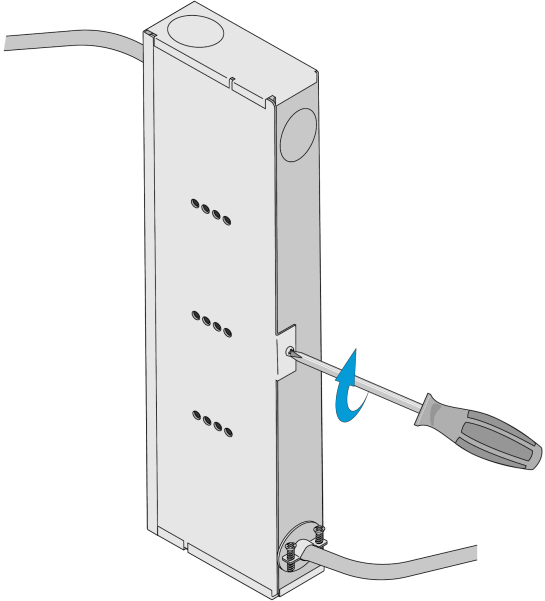


***LED Driver and J-Box must be grounded in accordance with local and national electrical codes.**

Ground the LED Driver and J-Box with the included Green Ground Screw. Some compatible LED drivers are Class II certified and do not require a FG (Fault Ground Connection). Refer to the LED driver label and installation guide for more information.

5. Fasten Cover to Junction Box

Using phillips-head screwdriver, screw cover plate onto unit.

**6. Turn Power On at Circuit Breaker**